

## PERMANENT INSTRUMENT

# ACTEON 2030-0XYT ACTEON 2030-02T

**New Dissolved Oxygen and Temperature field transmitter.**

- Sturdy, watertight, easy to install
- Widescreen graphic display: instant measurements, trend line, calibration state
- Quick and simple intuitive programming
- 4-20 mA outputs, programmable relays



| Technical specifications              |  |
|---------------------------------------|--|
| Oxygen measurement range              | 0.00 to 50.00mg/L or 0.0 to 200.0%   |
| Oxygen measurement accuracy           | ±0.2mg/l or ±2%  |
| Temperature measurement range         | -10.00 to +50.00°C   |
| Temperature measurement accuracy (°C) | ±0.1°C   |
| Casing                                | ABS  |
| Protection                            | IP 65  |
| Operating temperature                 | -25°C to +55°C   |
| Dimensions (L x W x D) /Weight        | 173 x 195 x 103mm / 1.5kg  |
| Display                               | Widescreen back-lit graphic display: 240 x 128 pixels (108 x 58mm)   |
| Power supply                          | 230/115 Vac 60Hz, Optional: 24Vdc  |
| Max power consumption                 | 10VA   |
| 4-20mA outputs                        | 2 galvanic isolation outputs (max load 700ohms):<br>- Adjustable from -1000 to +1000mV<br>- Adjustable from -10.00°C to +50.00°C   |
| Relay outputs                         | 2 relays that can be configured in 2 different modes:<br>- Adjustment in alarm mode (1 ORP and 1 temperature threshold)<br>- Adjustment in regulation mode (two ORP thresholds with the two relays). |

Simple, sturdy and reliable like its legendary predecessor, the APF series, with additional digital intelligence and leading-edge technology.

### Fields of application :

- Wastewater treatment, (input/output controls, aeration and anoxic tanks, odour control unit);
- Industrial effluent treatment (waste controls; neutralisation);
- Drinking water (raw water control, water treatment, output control);
- Surface water monitoring, etc.

### Oxygen sensor :

**OXYT sensor:** Slow polarographic sensor. Ideal for process regulation applications.

- **Materials:** Platinum cathode, silver anode, 50µm-thick PTFE membrane, stainless steel and Delrin, IP68. Temperature measurement: PT 100.
- **Dimensions:** Diameter 20.5mm x Length 130mm
- **Weight:** 100g
- **Cable:** 10m standard length (up to 100m as an option), multiple wires, coated shielded PU.

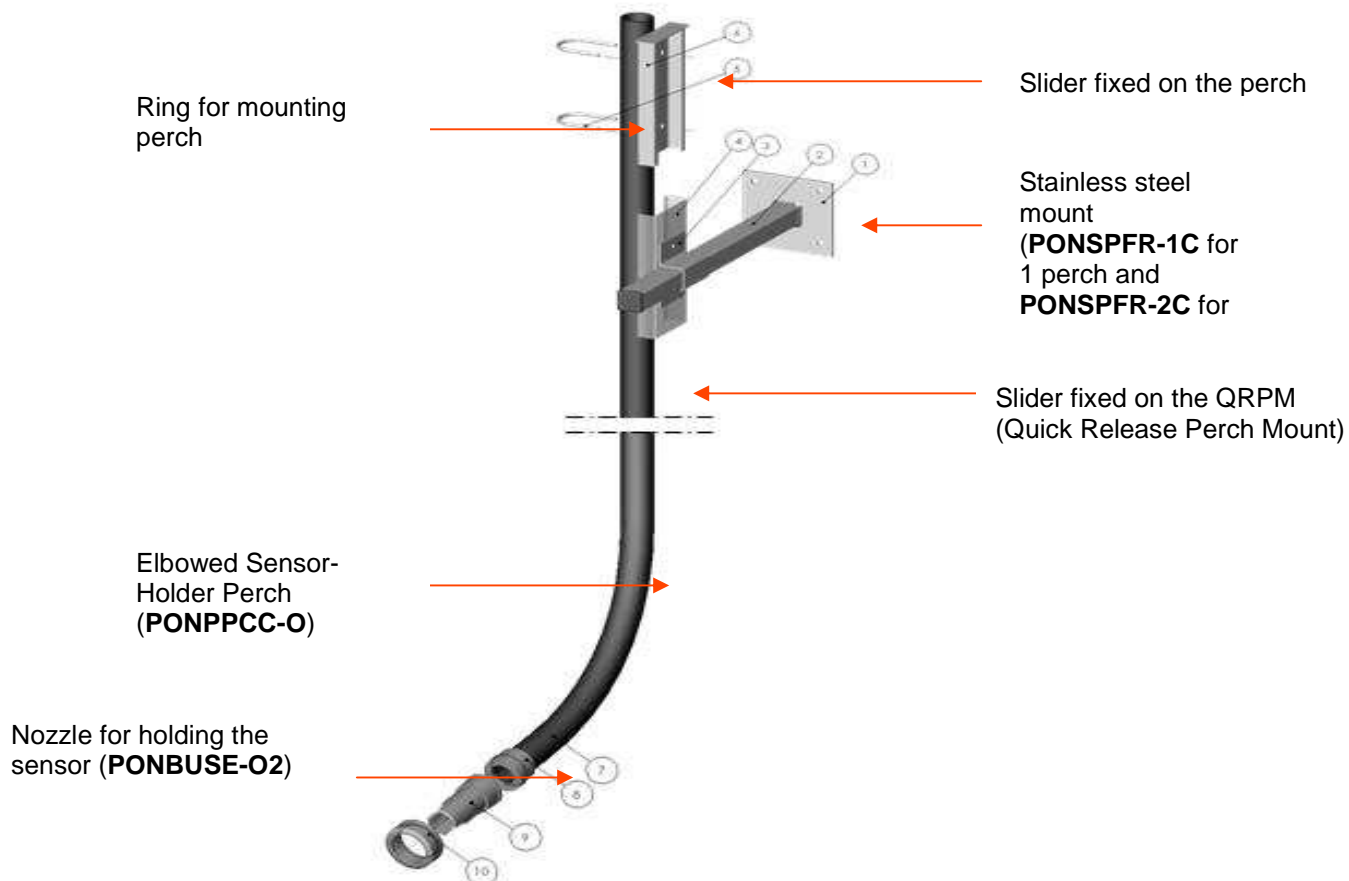


**O2T sensor** : Quick polarographic sensor for taking instant field measurements.

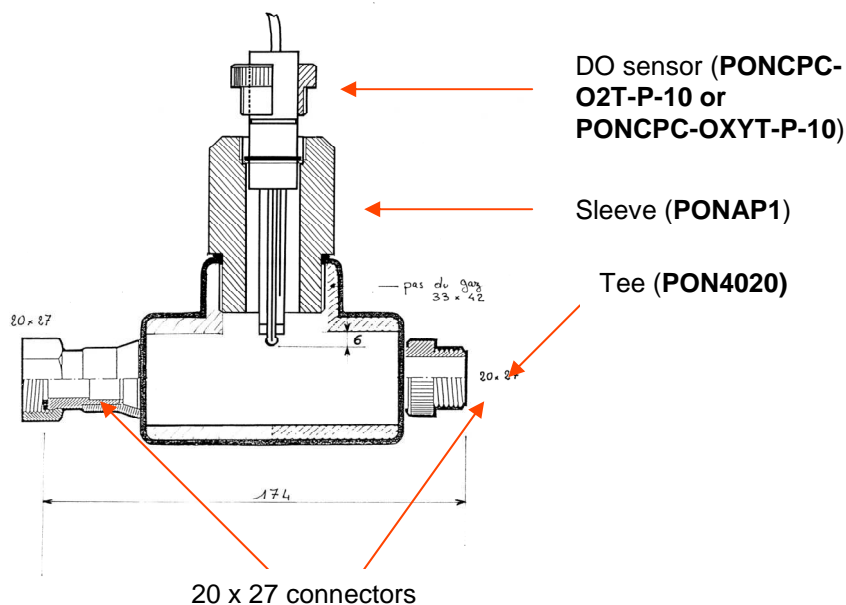
- **Materials:** Platinum cathode, silver anode, 20µm-thick PTFE membrane, stainless steel and Delrin. IP68.
- **Temperature measurement:** PT 100.
- **Dimensions:** Diameter 20.5mm - Length 130mm - Weight: 100g.
- **Cable:** 4-wire coated and shielded PU cable. 10m standard length (up to 100m on request). 40g/m.



**Accessories for sensor installation in tanks and open canals:**



### Accessories for sensor installation in pipes:



### Accessories for electronic unit installation:

