

PERMANENT INSTRUMENT

ACTEON 2010

New pH and temperature field transmitter

- STUDY, WATERTIGHT, EASY TO INSTALL
- WIDESCREEN GRAPHIC DISPLAY: INSTANT MEASUREMENTS, TREND LINE, CALIBRATION STATE
- QUICK AND SIMPLE INTUITIVE PROGRAMMING
- 4-20 mA OUTPUTS, PROGRAMMABLE RELAYS



Technical specifications	
PH measurement range (temperature compensated)	0.00 to 14.00pH
pH measurement accuracy	±0.1pH
Temperature measurement range	-10.00 to +50.00°C
Temperature measurement accuracy (°C)	±0.1°C
Casing	ABS
Protection	IP 65
Operating temperature	-25°C to +55°C
Dimensions (L x W x D) /Weight	173 x 195 x 103mm / 1.5kg
Display	Widescreen back-lit graphic display: 240 x 128 pixels (108 x 58mm)
Power supply	230/115 Vac 60Hz, Optional: 24Vdc
Max power consumption	10VA

4-20 mA outputs	2 galvanic isolation outputs (max load 700ohms):
Relay outputs	2 relays that can be configured in 2 different modes: - Adjustment in alarm mode (1 pH and 1 temperature threshold), - Adjustment in regulation mode (two pH thresholds with two relays).

Simple, sturdy and reliable like its legendary predecessor, the APF series, with additional digital intelligence and leading-edge technology.

Fields of application :

- Wastewater treatment, (input/output controls, aeration and anoxic tanks, odour control unit);
- Industrial effluent treatment (waste controls; neutralisation);
- Drinking water (raw water control, water treatment, output control);
- Surface water monitoring, etc.

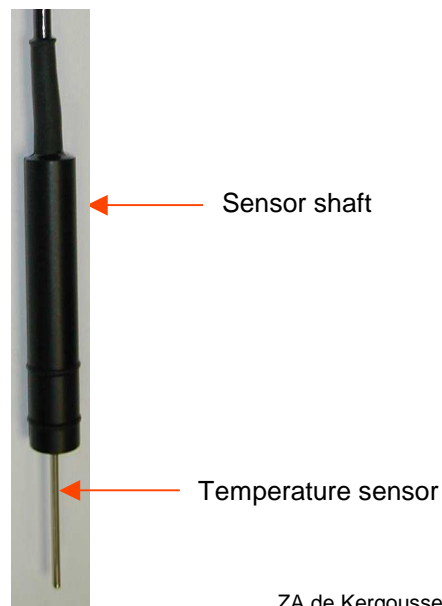
PH and Temperature Sensors

The standard version of the device is supplied with a gel-filled electrode sensor for ensuring stable measurements and durability. Special sensors (solid electrolyte, charged filling, etc.) are used for taking measurements in difficult areas (very low conductivity or hardness).



Gel-filled electrode pH sensor:

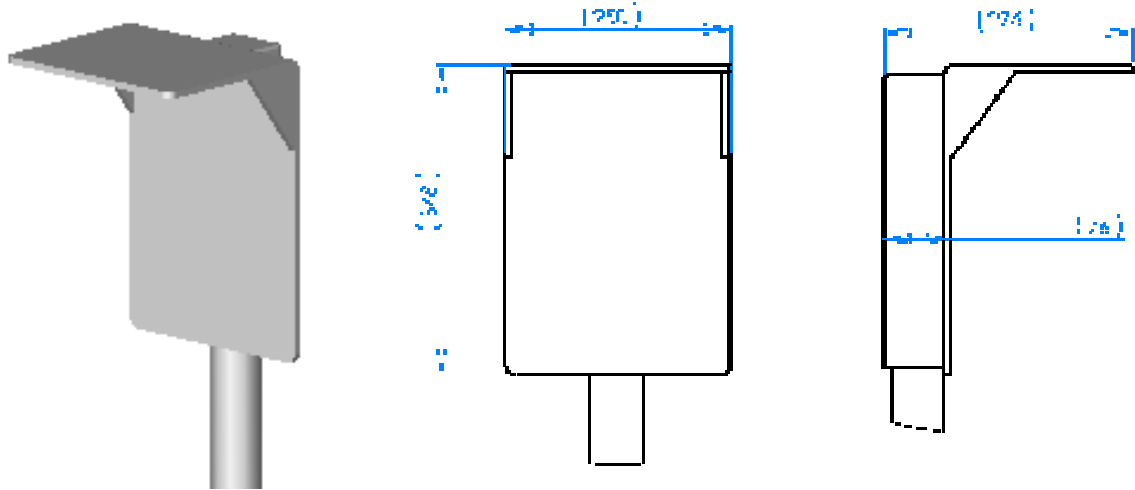
- pH/Reference combined electrode
- pH: Special glass electrode
- Reference: Ag/AgCl gelled electrolyte
- Electrolyte: Gelled KCL (Plastogel)
- Dimensions: Diameter 20.5mm x Length 144mm
- Weight: 440g
- Watertight: IP68
- Cable length: 10m standard length (other lengths available on request)
- Length of glass section: 65mm
- Working range: 0-14pH. Insensitive to Na⁺ ions up to pH13
- Temperature of use: 0 - 60°C when submerged
- Submersion: cable seal is watertight when submerged
- Pressure resistance : 5 bars



Temperature Sensor:

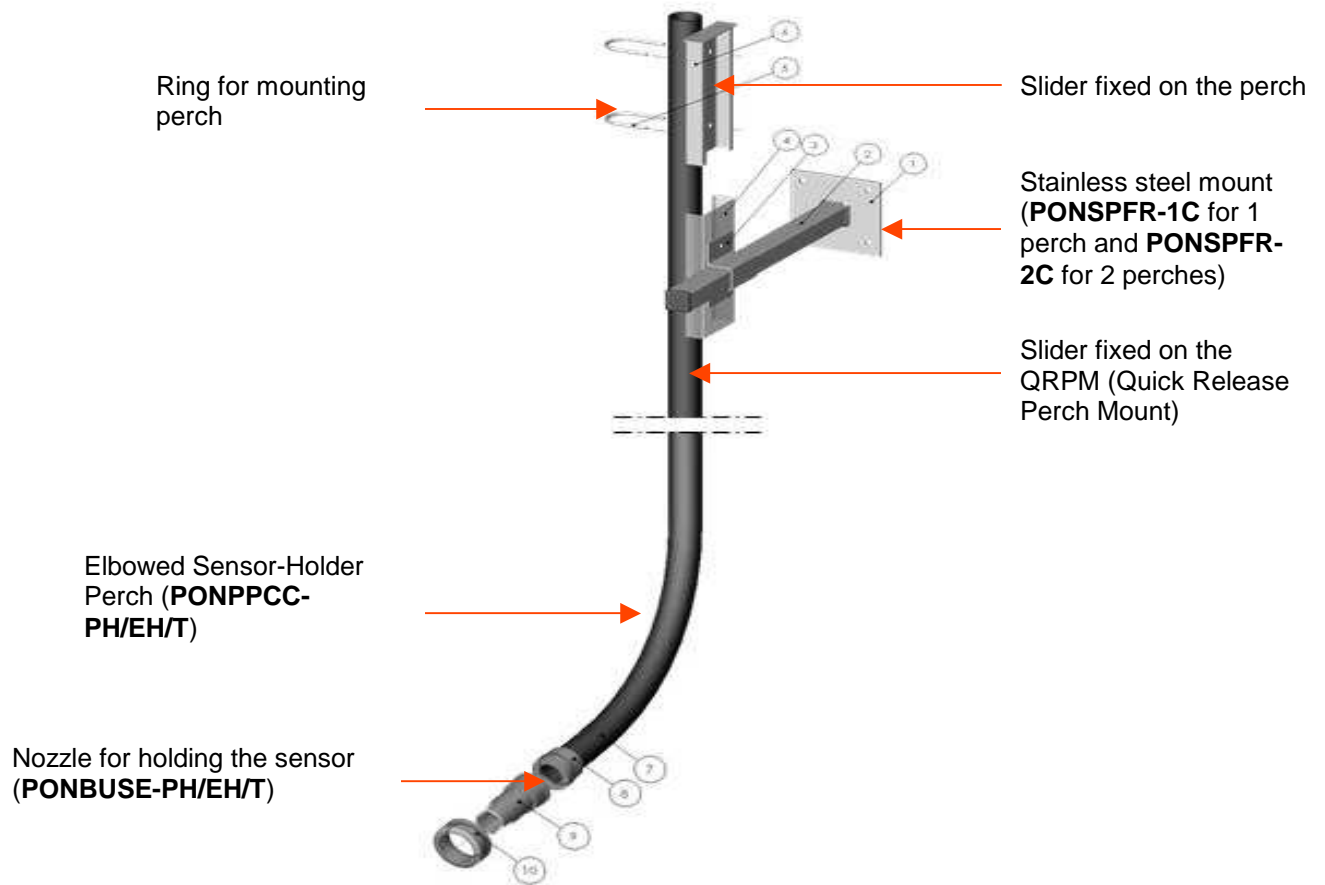
- Delrin, Stainless steel, Silicone - IP68
- Dimensions : Diameter 3mm (sensor), Length 115mm
- Weight : 40g
- Cable : 10m standard length

Accessories for electronic unit installation :

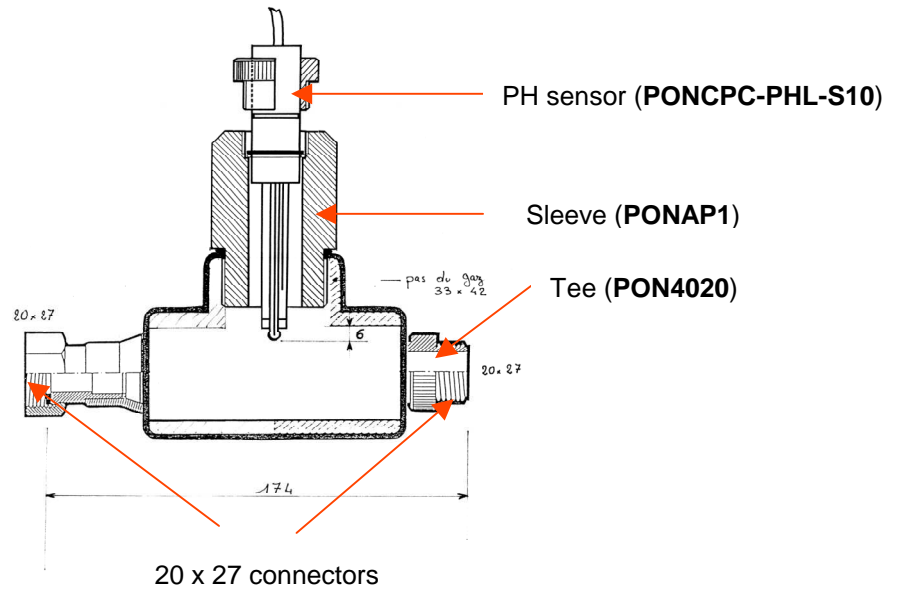


Hood mount for the ACTEON 2010 transmitter (**PON-PDPCV-1** for 1 transmitter and **PON-PDPCV-2** for 2 transmitters).

Accessories for sensor installation in tanks and open canals:



Accessories for sensor installation in pipes:



Temperature or pH sensor mounted inside a pipe

