

# PERMANENT INSTRUMENT

## ACTEON 2057-VB2S

### New field transmitter for two-level sludge blanket detection

- Sturdy, watertight, easy to install
- Widescreen graphic display: instant measurements, trend line, calibration state
- Quick and simple intuitive programming
- 4-20 mA outputs, programmable relays



| Technical specifications                     |  |
|--|--|
| <b>Ranges</b>                                | 0.0 to 100.0% (VB20 0-3 g/L and VB5 0-50 g/L sensors)  |
| <b>Measurement accuracy</b>                  | ±2%  |
| <b>Temperature measurement range</b>         | -10.00 to +50.00°C   |
| <b>Temperature measurement accuracy (°C)</b> | ±0.1°C   |
| <b>Casing</b>                                | ABS  |
| <b>Protection</b>                            | IP 65  |
| <b>Operating temperature</b>                 | -25°C to +55°C   |
| <b>Dimensions (L x W x D) /Weight</b>        | 173 x 195 x 103mm / 1.5kg  |
| <b>Display</b>                               | Widescreen back-lit graphic display: 240 x 128 pixels (108 x 58mm)   |
| <b>Power supply</b>                          | 230/115 Vac 60Hz, Optional: 24Vdc  |
| <b>Max power consumption</b>                 | 10VA   |
| <b>4-20mA outputs</b>                        | 2 galvanic isolation outputs (max load 700ohms):<br>- Adjustable from 0.00 to 20.00g/L or from 0.00 to 50.00g/L<br>- Adjustable from -10.00°C to +50.00°C  |
| <b>Relay outputs</b>                         | 2 relays that can be configured in 2 different modes:<br>- Adjustment in alarm mode (1 sludge blanket and 1 temperature (°C) threshold)<br>- Adjustment in adjustment mode (2 sludge blanket thresholds with 2 relays) |

Simple, sturdy and reliable like its legendary predecessor, the APF series, with additional digital intelligence and leading-edge technology.

### Fields of application:

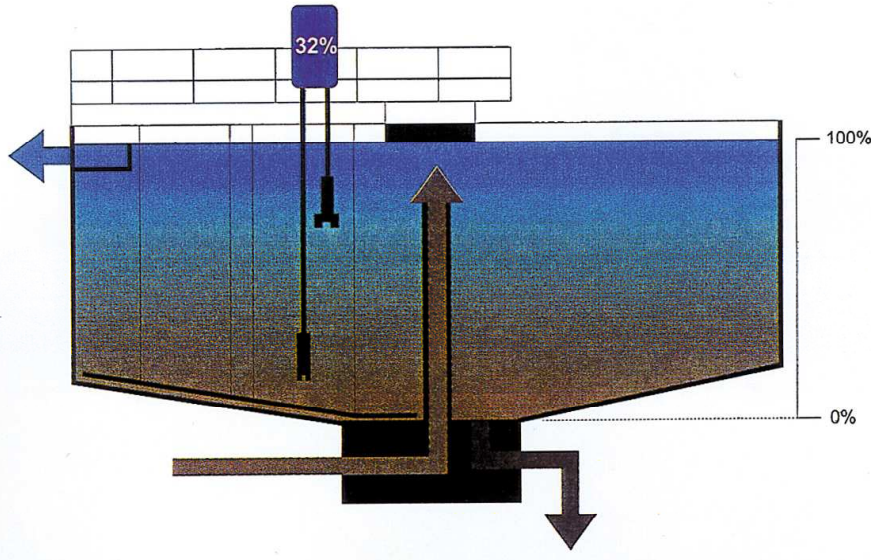
A reading of 100% indicates ultra-clear water while water with large amounts of suspended matter (concentrated sludge) will display 0% (any light is entirely absorbed).

The new ACTEON 2057-VB2S comes with 2 sludge blanket detection sensors for optimizing sludge level detection in settling tanks on two levels:

- Wastewater treatment (primary and secondary settling tanks)
- Applications in oil separators

### Sensor:

The standard ACTEON-2057-VB2C unit comes with 2 sensors: a VB5 (deep water sensor) and a VB20 (surface sensor) with a 10-meter cable connection.



### Sludge blanket sensor: PONCIR-VB5-10 and PONCIR-VB20-10

Measurement principle: Optical absorption of infrared light, regulated and pulsed emission (10Hz frequency)

- **Dimensions:** Length: 210mm
- **Weight:** 1.2kg
- **Materials:** PVC and special glass, IP68
- **Temperature compensation (°C) :** automatic per CTN of +5 to +30°C
- **Emission wavelength:** 950nm (infrared)
- **Cable:** Multiple coated wires, polyurethane sheath. 10m standard length (up to 100m on request)

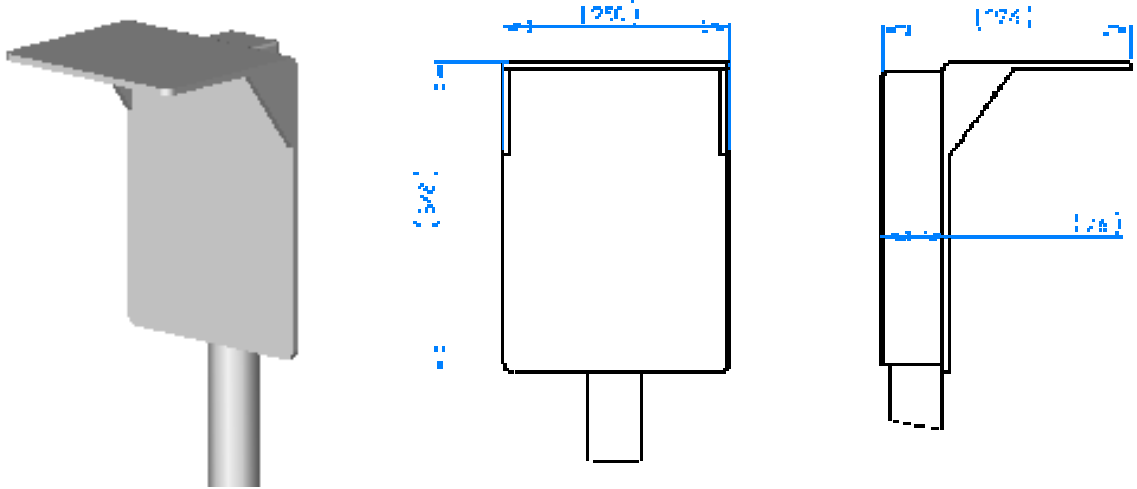
**Installation options:** *Fixed sensor-holder perch, accessories for in-pipe installation.*



### Temperature Sensor:

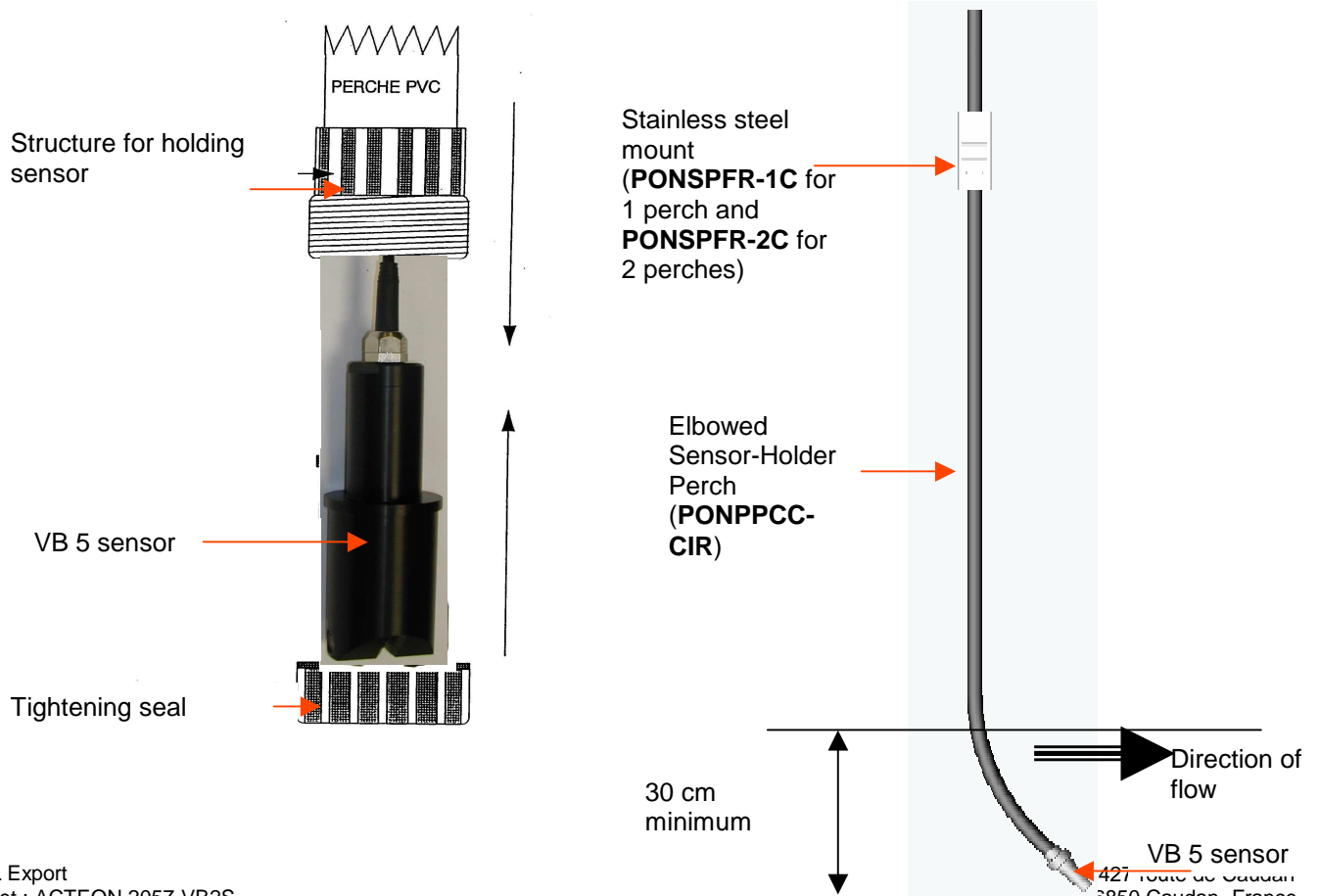
Delrin, Stainless steel, Silicone - IP68  
 Dimensions: Diameter 3mm (sensor), Length 115mm  
 Weight: 40g  
 Cable: 10m standard length

**Accessories for electronic unit installation:**

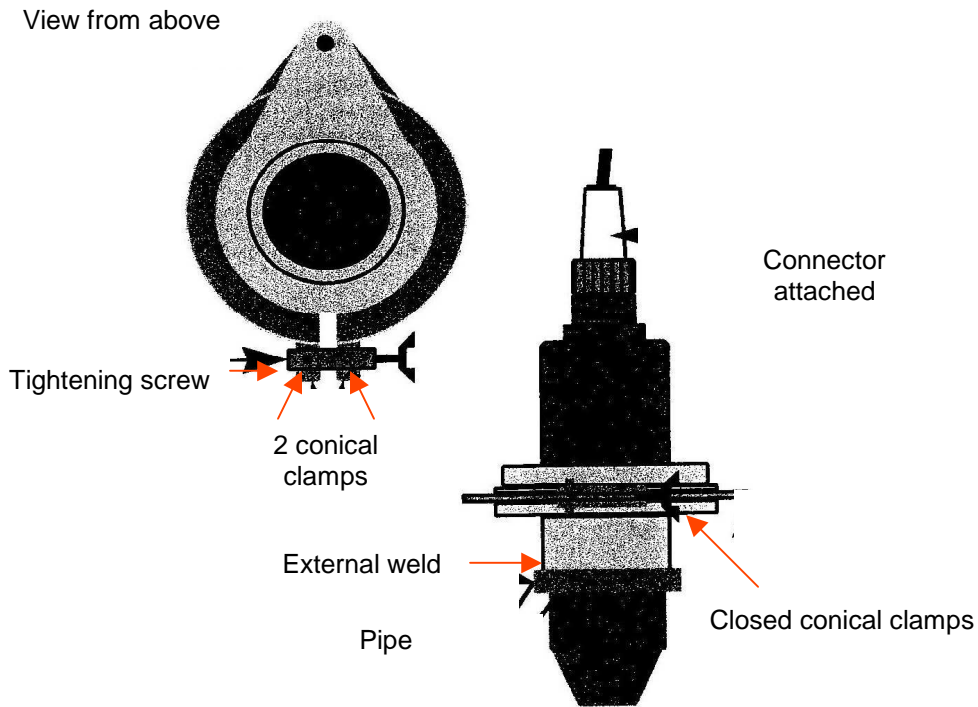


Hood mount for the ACTEON 2057-SB2S transmitter (**PON-PDPCV-1** for 1 transmitter and **PON-PDPCV-2** for 2 transmitters).

**Accessories for sensor installation in tanks and open canals:**



## Accessories for sensor installation in pipes:



VB5 sensor for in-pipe installation with a quick mounting/dismounting system using conical coupling clamps